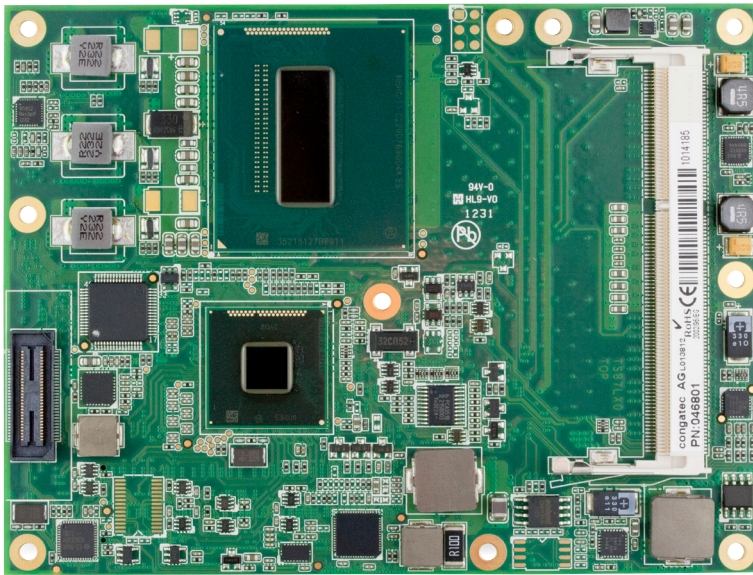


HIGH END PERFORMANCE

conga-TS87

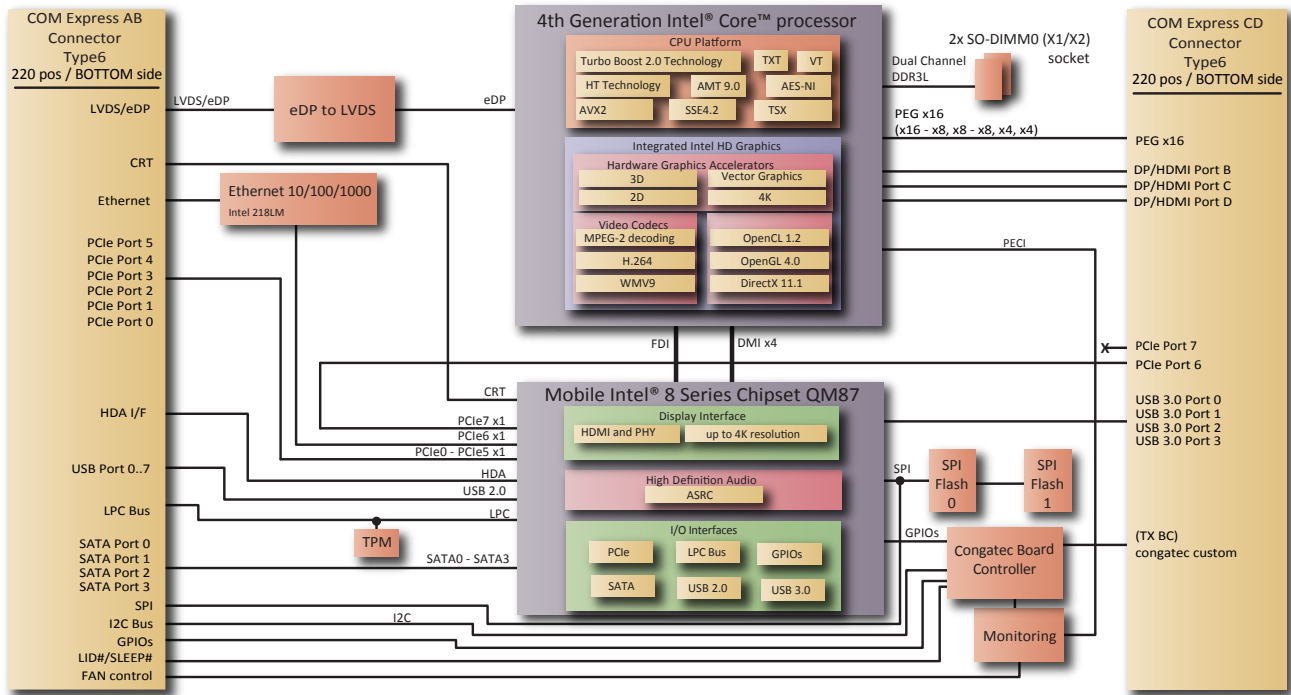


- 4th Gen. Intel® Core™ i7 quad core processor
- 3x DisplayPort 1.2, up to 4k resolution
- COM Express Basic Type 6 module
- Intel® AES-NI for hardware accelerated encryption and decryption

COM  **Express**®

Formfactor	Formfactor COM Express™ Basic (95 x 125 mm) Type 6 Connector Layout						
CPU	Intel® Core™ i7-4700EQ	Quad Core	2.4 GHz	Turbo Boost 3.4 GHz	6M Cache	TDP 47W (configurable to 1.7 GHz / 37W)	AVX2 AES-NI AMT 9.0 TXT
	Intel® Core™ i5-4400E	Dual Core	2.7 GHz	Turbo Boost 3.3 GHz	3M Cache	TDP 37W	AVX2 AES-NI AMT 9.0 TXT
	Intel® Core™ i5-4402E	Dual Core	1.6 GHz	Turbo Boost 2.7 GHz	3M Cache	TDP 25W	AVX2 AES-NI AMT 9.0 TXT
	Intel® Core™ i3-4100E	Dual Core	2.4 GHz		3M Cache	TDP 37W	AES-NI
	Intel® Core™ i3-4102E	Dual Core	1.6 GHz		3M Cache	TDP 25W	AES-NI
	Intel® Celeron™ 2000E	Dual Core	2.2 GHz		2MB L3 cache	TDP 37W	
	Intel® Celeron™ 2002E	Dual Core	1.56 GHz		2MB L3 cache	TDP 25W	
	Intel® Turbo Boost Technology Intel® Hyper-Threading Technology (Intel® HT Technology) Intel® Advanced Vector Extensions 2.0 (Intel® AVX2) Intel® Advanced Encryption Standard New Instructions (Intel® AES-NI) Integrated dual channel memory controller up to 25.6 GByte/sec. memory bandwidth Intel® HD graphics with dynamic frequency up to 1GHz Intel® Clear Video HD Technology Intel® Virtualization Technology (Intel® VT) Intel® Trusted Execution Technology (Intel® TXT) Intel® Streaming SIMD Extensions 4.2 (Intel® SSE4.2) PCLMULQDQ Instruction Intel® Secure Key Intel® Transactional Synchronization Extensions (Intel® TSX)						
DRAM	2 Sockets SO-DIMM DDR3L@1.35V up to 1600MT/s and 16GByte						
Chipset	Mobile Intel® 8 Series Chipset: Intel® QM87 for Intel® Core™ processors / HM86 @ planned Celeron variants						
Ethernet	Intel® I218-LM GbE LAN Controller with AMT 9.0 support						
I/O Interfaces	7x PCI Express™ GEN. 2.0 lanes 1x PEG GEN 3.0 (8GT/s) 4x Serial ATA® 6 Gb/s RAID 0/1/5/10 support 2x ExpressCard® 4x USB 3.0 (XHCI) 8x USB 2.0 (EHCI) LPC bus I²C bus (fast mode, 400 kHz, multi-master)						
Sound	Digital High Definition Audio Interface with support for multiple audio codecs						
Graphics	Next Generation Intel® HD Graphics with OpenCL 1.2 OpenGL 4.0 and DirectX11.1 support; up to three independent displays: HDMI 1.4, DVI, DP, VGA; High performance hardware MPEG-2 decoding WMV9 (VC-1) and H.264 (AVC) support Blu-ray support @ 40 MBit/s						
LVDS	Dual channel LVDS transmitter Supports flat panels 2x24 Bit interface VESA mappings resolutions up to 1920x1200 Automatic Panel Detection via EDID/EPI						
Digital Display Interface	3x TMDS (DVI HDMI) / DisplayPort 1.2a with daisy chaining resolutions up to 4k						
CRT Interface	350 MHz RAMDAC resolutions up to QXGA (2048x1536 @75Hz)						
congatec Board Controller	Multi Stage Watchdog non-volatile User Data Storage Manufacturing and Board Information Board Statistics BIOS Setup Data Backup I²C bus (fast mode, 400 kHz, multi-master) Power Loss Control						
Embedded BIOS Features	AMI Aptio® UEFI 2.x firmware 8 MByte serial SPI firmware flash						
Security	The conga-TS87 can be optionally equipped with a discrete "Trusted Platform Module" (TPM). It is capable of calculating efficient hash and RSA algorithms with key lengths up to 2,048 bits and includes a real random number generator. Security sensitive applications such as gaming and e-commerce will benefit also with improved authentication, integrity and confidence levels.						
Power Management	ACPI 4.0 with battery support						
Operating Systems	Microsoft® Windows 8 Microsoft® Windows 7 Linux Microsoft® Windows® embedded Standard						
Power Consumption	Typ. application: tbd. see manual for full details CMOS Battery Backup						
Temperature	Operating: 0 .. +60°C Storage: -20 .. +80°C						
Humidity	Operating: 10 - 90% r. H. non cond. Storage: 5 - 95% r. H. non cond.						
Size	95 x 125 mm (3.74" x 4.92")						

conga-TS87 | Block diagram



conga-TS87 | Order Information

Article	PN	Description
conga-TS87/i7-4700EQ	046804	Intel® Core™ i7-4700EQ quad core processor with 2.4GHz 6MB L2 cache and 1600MT/s dual channel DDR3L memory interface
conga-TS87/i5-4402E	046805	Intel® Core™ i5-4402E dual core processor with 1.6GHz 3MB L2 cache and 1600MT/s dual channel DDR3L memory interface
conga-TS87/i5-4400E	046806	Intel® Core™ i5-4400E dual core processor with 2.7GHz 3MB L2 cache and 1600MT/s dual channel DDR3L memory interface
conga-TS87/i3-4102E	046807	Intel® Core™ i3-4102E dual core processor with 1.6GHz 3MB L2 cache and 1600MT/s dual channel DDR3L memory interface
conga-TS87/i3-4100E	046808	Intel® Core™ i3-4100E dual core processor with 2.4GHz 3MB L2 cache and 1600MT/s dual channel DDR3L memory interface
conga-TS87/2000E	046810	Intel® Celeron™ 2000E dual core processor with 2.2GHz 2MB L3 cache and 1600MT/s dual channel DDR3L memory interface
conga-TS87/2002E	046811	Intel® Celeron™ 2002E dual core processor with 1.56GHz 2MB L3 cache and 1600MT/s dual channel DDR3L memory interface
conga-TS87/HSP-FP-B	046851	Standard heatspreader for high performance COM Express module conga-TS87 with flat heat pipes. All standoffs are with 2.7mm bore hole
conga-TS87/HSP-FP-T	046852	Standard heatspreader for high performance COM Express module conga-TS87 with flat heat pipes. All standoffs are M2.5mm threaded
conga-TS87/CSA-FP-B	046853	Standard active cooling solution for high performance COM Express module conga-TS87 with flat heat pipes 15mm fins 20mm overall heat sink height and integrated 12V fan. All standoffs are with 2.7mm bore hole
conga-TS87/CSA-FP-T	046854	Standard active cooling solution for high performance COM Express module conga-TS87 with flat heat pipes 15mm fins 20mm overall heat sink height and integrated 12V fan. All standoffs are M2.5mm threaded
conga-TS87/CSP-FP-B	046855	Standard passive cooling solution for high performance COM Express module conga-TS87 with flat heat pipes 15mm fins and 20mm overall heat sink height. All standoffs are with 2.7 mm bore hole
conga-TS87/CSP-FP-T	046856	Standard passive cooling solution for high performance COM Express module conga-TS87 with flat heat pipes 15mm fins and 20mm overall heat sink height. All standoffs are M2.5mm threaded
DDR3L-SODIMM-1600 (2GB)	068755	DDR3L SODIMM memory module with 1600 MT/s (PC3L-12800S) and 2GB RAM
DDR3L-SODIMM-1600 (4GB)	068756	DDR3L SODIMM memory module with 1600 MT/s (PC3L-12800S) and 4GB RAM
DDR3L-SODIMM-1600 (8GB)	068757	DDR3L SODIMM memory module with 1600 MT/s (PC3L-12800S) and 8GB RAM
Accessories		
conga-TEVAL	065800	Evaluation carrier board for Type 6 COM-Express-modules
conga-LDVI/EPI	011115	LVDS to DVI converter board for digital flat panels with onboard EEPROM
COM-Express-carrier-board-Socket-5	400007	Connector for COM-Express carrier boards height 5mm packing unit 4 pieces
COM-Express-carrier-board-Socket-8	400004	Connector for COM-Express carrier boards height 8mm packing unit 4 pieces

© 2014 congatec AG. All rights reserved.

All data is for information purposes only. Although all the information contained within this document is carefully checked, no guarantee of correctness is implied or expressed. Product names, logos, brands, and other trademarks featured or referred are the property of their respective trademark holders. These trademark holders are not affiliated with congatec AG. Rev. November 04, 2014 MR